

REV	ECN	DESCRIPTION	DATE	DRAWN	APPROVED
1		Initial Release	11-21-05	Jjd	Liburdi
2		Change the Material	12-02-05	Water	Water
3		Add Table	11-21-06	jld	FLiburdi
4		Add Page 2	01-04-07	jld	FLiburdi

RoHS

Notes:

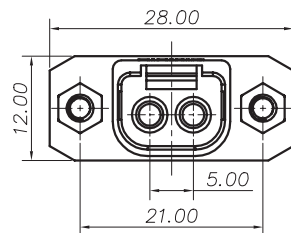
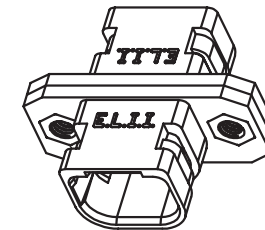
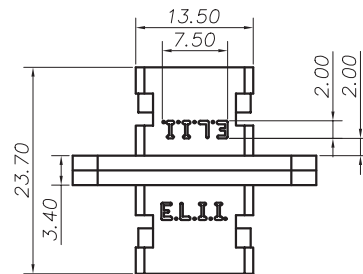
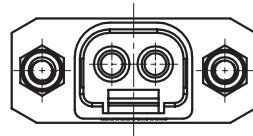
- 1) Material : PBT G.F. 30%, RoHS & UL94 V-0.
- 2) See Table for Colors
- 3) Product Must Conform to RoHS
- 4) QC Dimension Check

- Critical
- Major
- Minor

Part Number

ELII - SMI - AC - Y

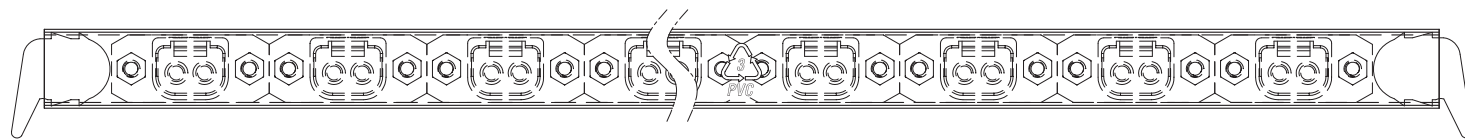
- B = Black
- G = Gray
- Z = Brown



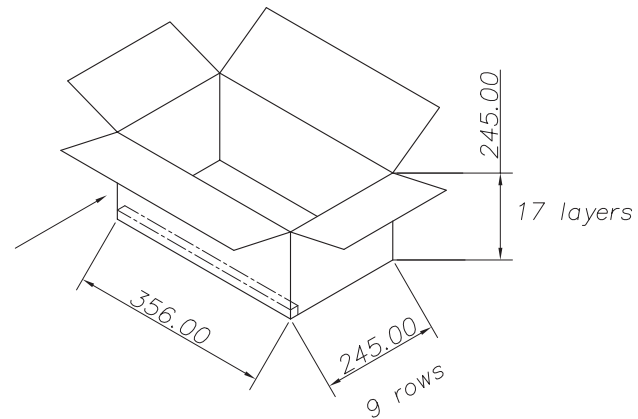
		UNLESS OTHERWISE NOTED: DIMENSIONS IN MM		<b>Adapter Coupler</b>			
<small>THIS DOCUMENT SHALL NOT BE REPRODUCED, NOR SHALL THE INFORMATION CONTAINED HEREIN BE USED OR DISCLOSED TO OTHERS EXCEPT AS AUTHORIZED BY WRITING BY ELECTRONIC LINKS INTERNATIONAL, INC.</small>		MATERIAL: MATERIAL					
DESIGNED BY:	DESIGNER	DES(DATE)	ANGLES ±	ANGLES	SIZE	REV LEVEL	SCALE
CHECKED BY:	CHECKER	CHK(DATE)	EDGE / CORNER BREAKS	OUTSIDE MAX.	OSL_MAX	REV_LEVEL	SCALE
APPROVED BY:	APPROVAL	APP(DATE)	INSIDE MAX.	ISL_MAX	SCALE	SCALE	SHEET 1 of 2

REV	ECN	DESCRIPTION	DATE	DRAWN	APPROVED
1		Initial Release	11-21-05	Jd	Liburdi
2		Change the Material	12-02-05	Water	Water
3		Add Table	11-21-06	jld	FLiburdi
4		Add Page 2	01-04-07	jld	FLiburdi

RoHS



11 pcs / tube



Electronic Links International Inc.  
 P/N:  
 Description:  
 Length:  
 Date Manufactured:  
 Lot:

ELII - L - 1

		UNLESS OTHERWISE NOTED: DIMENSIONS IN MM		<b>Adapter Coupler</b>	
<small>THIS DOCUMENT SHALL NOT BE REPRODUCED, NOR SHALL THE INFORMATION CONTAINED HEREIN BE USED OR DISCLOSED TO OTHERS EXCEPT AS AUTHORIZED IN WRITING BY ELECTRONIC LINKS INTERNATIONAL, INC.</small>		MATERIAL: MATERIAL			
<small>DESIGNED BY: DESIGNER DES(DATE)</small>		<small>FINISH: FRESH</small> <small>LINEAR</small>		SIZE	REV LEVEL
<small>CHECKED BY: CHECKER CHK(DATE)</small>		<small>ANGLES ±</small> <small>ANGLES</small>		C	REV LEVEL
<small>APPROVED BY: APPROVAL APP(DATE)</small>		<small>EDGE/ CORNER BREAKS</small>		SCALE	SCALE
		<small>OUTSIDE MAX.</small> <small>OL_MAX</small> <small>INSIDE MAX.</small> <small>IL_MAX</small>		PART NO. <b>ELII-SMI-AC-Y</b> SHEET 2 of 2	